



**Perma Tech, Inc.**

*"Your Single Source for ALL Your Loading Dock Needs"*

# Perma MRI AIR Shelter with Track & Trolley

## ***INSTALLATION INSTRUCTIONS***

**NOTE:**

***CHECK SHIPPING CONTAINERS BEFORE RELEASING CARRIER.  
NOTIFY CARRIER IMMEDIATELY UPON DISCOVERING ANY CONCEALED DAMAGE.***

**WARNING :** Do not install this product unless you have read and understand the warnings and installation instructions contained in the manual.  
Failure to do so could result in serious injury or death.



363 Hamburg Street  
Buffalo, NY 14204  
sales@permatechinc.com  
www.PermaTechInc.com

Toll Free: 800-362-7325  
Local: 716-854-0707  
Fax: 716-854-0774

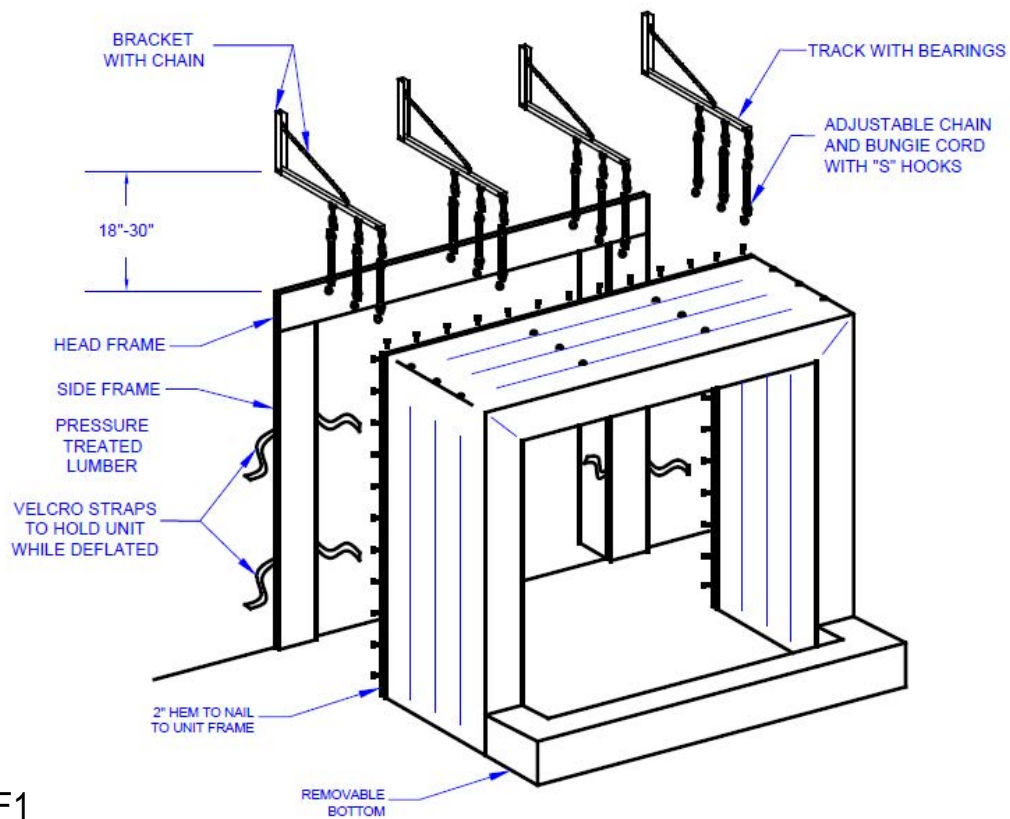
# INSTALLATION INSTRUCTIONS

## Perma MRI AIR Shelter with Track & Trolley

**NOTE:** Check all shipping containers before releasing carrier. Notify carrier immediately upon discovering any concealed damage.

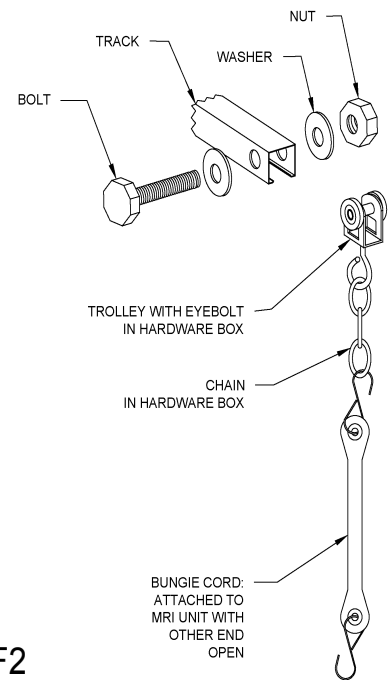
1. Mark the centerline of the door opening at the top of the door (lintel) and mark the centerline of the unit.
2. Find the side frame length by measuring the length of the lumber provided. **Note:** head frame or side frame can come in two piece base on unit dimensions. Mark the building wall for this height from the ground. Mark the centerline of the head frame. Align the mark with the centerline on the door lintel and mount the head frame using anchor bolts (not included). Be sure to align the **bottom** of the head frame with the height marks.
3. Using appropriate anchor bolts (not included), attach the side frames to the wall.
4. Unfold the unit on the ground in front of the door. Find the centerline of the unit.
5. Align the centerline of the unit to the centerline of the headboard.
6. Using the provided roofing nails, nail the 2" hem to the head frame, use about one nail every 12 inches. Start at the centerline and move outward.
7. Attach the side members to the side frame using roofing nails. Use about one nail every 12 inches. Start at the top and move downward.
8. After installing the side members, attach the side member "tie-back" straps to the inside and outside of the frame using (2) two roofing nails per strap. Space accordingly to retain side air bags with first strap one (1) foot off the ground and the second strap five to six (5-6) feet from the ground.
9. The airbag blower duct sleeve comes in 36" length. Align blower with the duct sleeve (any distance less than 30" from the backboard) and fasten in place. Use the provided hose clamp to hold the sleeve to the blower then fold back and tuck in, or cut off any excess fabric.
10. Attach the track and trolley brackets anywhere from 18" to 30" above the head frame to the wall. (Wall-mounting hardware NOT include.) Mount each bracket directly above each row of "O" rings sewn in the head bag and attach the shock cord to the trolleys.
11. Complete electrical connection to blower and inflate as a check. Adjust shock cord lengths if necessary. Shock cords should be just tight enough to eliminate sag when the unit is deflated.
12. Attach the bottom bag through the holes at the bottom of each side by pushing the fabric ring at each end of the bottom removable bag through the hole as show in Figure 3.
13. Attach hood over blower using appropriate anchor bolts (not provided).
14. When installation is completed, caulk the top and the sides of the unit where it meets the building.
15. Post enclosed operating instructions in convenient location near seal.

**Figure 1: Perma MRI AIR with Track & Trolley System**



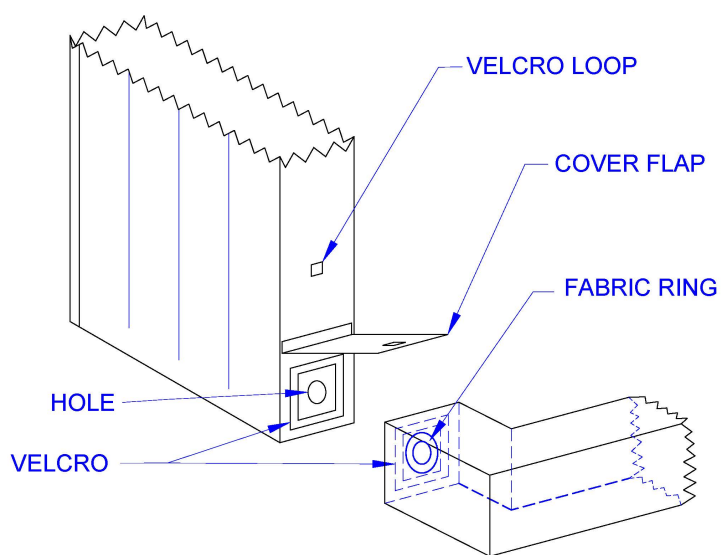
F1

**Figure 2: Break out view of the Track & Trolley**



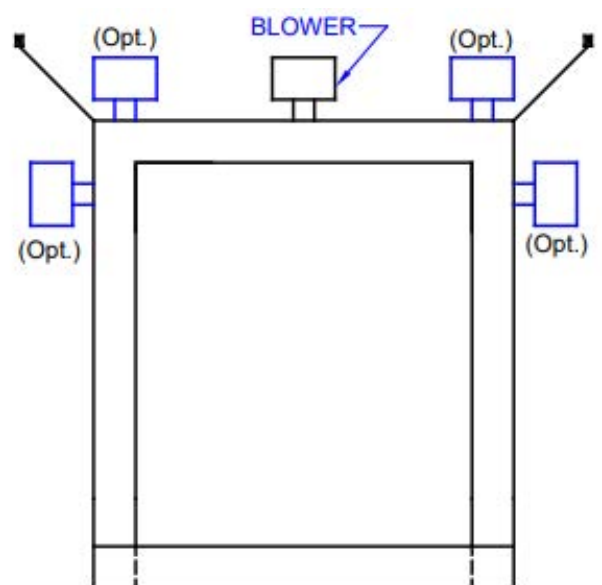
F2

**Figure 3: A four-sided MRI AIR shelter has a removable bottom that is connected to the side frames with velcro.**



F3

**Figure 4: This figure shows the most common places for optional blower locations.**



F4



**Perma Tech, Inc.**

*"Your Single Source for ALL Your Loading Dock Needs"*

## **LIMITED PRODUCT WARRANTY**

Perma Tech, Inc. warrants the material and workmanship in any product manufactured by Perma Tech, Inc. for a period of one year from the date of shipment to customer if properly installed, maintained and used. this limited warranty shall not apply in the event of misuse or modification by customer or to materials not manufactured and installed by Perma Tech, Inc.

In the event of any defects covered by this warranty, Perma Tech, Inc. will remedy such defects by repairing or replacing at its expense any defective products or, at its option, refunding the original purchase price excluding installation, freight and tax. This shall be customer's exclusive remedy for all claims whether based on warranty, contract, negligence, strict liability or other legal theory.

Written notice of any claim must be made within the warranty period by first class mail or personal delivery to a suitable person at Perma Tech's office at 363 Hamburg Street, Buffalo, New York 14204. Notice of delivery by e-mail or fax is not acceptable.

PERMA TECH, INC. EXPRESSLY DISCLAIMS AND CUSTOMER WAIVES ALL IMPLIED WARRANTIES INCLUDING WITHOUT LIMITATION, ANY IMPLIED WARRANTIES OF MERCHANTABILITY OR FITNESS FOR A PARTICULAR PURPOSE. PERMA TECH, INC. SHALL NOT IN ANY EVENT BE LIABLE FOR AND CUSTOMER WAIVES ANY INCIDENTAL, CONSEQUENTIAL OR PUNITIVE DAMAGES OF ANY KIND TO CUSTOMER OR ANY THIRD PARTY, INCLUDING WITHOUT LIMITATION DAMAGES FOR LOST PROFITS, EVEN IF ADVISED OF SAME.



363 Hamburg Street  
Buffalo, NY 14204  
sales@permatechinc.com  
www.PermaTechInc.com

Toll Free: 800-362-7325  
Local: 716-854-0707  
Fax: 716-854-0774